

	PAGE	
1.	WHAT YOU NEED	18
2.	IMPORTANT SAFETY INFORMATION	19
3.	CONNECTING THE DEVICE TO THE GAS CANISTER	20
4.	START UP AND USE	22
5.	TURNING OFF	22
6.	STORAGE TIPS	23
7.	ENVIRONMENTAL NOTES AND DISPOSAL MEASURES	23
8.	MALFUNCTIONS AND SOLUTIONS	23
9.	TECHNICAL DETAILS	24
10.	WARRANTY AND SERVICE	24
11.	MANUFACTURER	24
12.	INCLUDED IN DELIVERY	25
13.	THE INDIVIDUAL CONSTRUCTION STEPS	34
14.	ABILITY TO BE SUNK	41

1. WHAT YOU NEED

Please store this instruction manual in a safe place for future use.

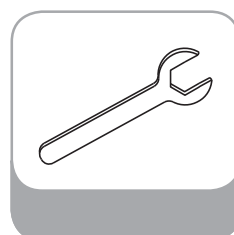
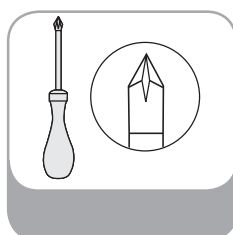


Please read the instruction manual carefully before using the patio heater. Please pay particular attention to the safety instructions. The materials and construction methods used in this device have been chosen to ensure against malfunctions when used properly. Please note - there is a separate book of instructions enclosed for the gas pressure regulator!



CAUTION:

In order to prevent injury we recommend wearing safety gloves during assembly! During assembly, get help from a second person.



2. IMPORTANT SAFETY INFORMATION

CAUTION:



Only use outdoors or in well-ventilated rooms.

(The definition of a well-ventilated room is that at least 25% of the surrounding area is open. The surrounding area is the sum of all wall surfaces.)

INTENDED USE

- The patio heater may only be used for heating purposes.
- The device must be installed according to these instructions.

GENERAL SAFETY NOTES

- Keep children away from the patio heater during assembly (risk of swallowing small parts) and during use (risk of burning) as well as when it is in storage.
- The plastic bag from the packaging material can pose a risk of suffocation if it is put over the head.
- Keep the liquid gas bottle in a well ventilated area above the ground.
- Do not use the patio heater in flats, houses, cellars, office buildings and other similar spaces.
- The device must be placed on a solid, level surface.
- Keep all liquid gas canisters out of direct sunlight.
- The area of use must have a volume of 20 m³ per 1kW of installed nominal thermal load of the patio heater and it must also be well ventilated (roofed terrace, beer tents etc).
- When in use, the device must be placed at a safe distance from combustible materials. The distance between the heat source and the combustible materials must not be less than 2 m in the direction of radiation. Distance in other directions to combustible materials must not be less than 1 m.
- Secure the device against falling over or switch it off in high winds.
- Check that the sealants on the regulator valve are in place and undamaged before every start up. Do not use any additional sealants.
- The patio heater may only be operated using an intermediary pressure regulator with an acceptable exit pressure (see device rating plate and factory settings).
- Check the sealant properties of all connections immediately after assembly. Use a foaming agent (e.g. Gas Control Sprayor suds) for this purpose.
- Before moving the patio heater to a different location it must be turned off and the gas canister must be removed from the canister holder.
- The gas hose must not be bent.



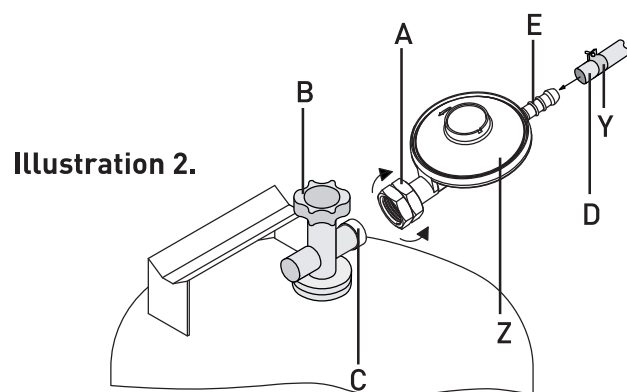
- The ventilation holes on the container sleeve of the canister must not be covered. It is possible that gas could leak out and collect in the holder which creates a risk of explosion.
- Never move the device when it is switched on (risk of burning).
- When the device is turned on, the gas canister should always be placed in the designated container sleeve.
- In order to prevent injury from sharp edges we recommend wearing safety gloves during assembly.
- Only use the gas types and canisters recommended by the manufacturer!
- Repairs and maintenance of gas-related parts are only to be carried out by authorised specialists.
- In case of malfunction, the regulator valve should be closed.
- The gas hose should be inspected for damage at least once a month and each time the canister is changed.
- The gas hose and pressure regulator should be inspected every five years by an authorised specialist. After 10 years you have to replace the gas hose and pressure regulator by an authorised specialist!
- If the gas hose is damaged, it must be replaced by a hose of the same quality and length.
- In the event of a gas leakage, the device should not be used. If it is in use, the gas supply must be blocked. Before it is used again, the device must be thoroughly checked and any damaged parts replaced. Any loose connections must be tightened.

3. CONNECTING THE DEVICE TO THE GAS CANISTER

THE FOLLOWING PARTS ARE NECESSARY TO CONNECT THE APPLIANCE TO THE GAS BOTTLE:

- commercial propane/butane gas – liquid gas canister (5 or 11 kg)
- fixed-value approved pressure regulator, 1.5 kg/h, suitable for the gas canister, operating pressure 30 mbar
- approved 1.4 m hose
- approved leakage locating spray or foaming agent (e.g. Gas Control Spray or suds).

A	Union nut
B	Regulator valve
C	Canister valve
D	Hose (BS 3212, Ø 8 mm)
E	Gas supply
Y	Gripper clamp
Z	Gas pressure regulator (EN 16129)



CONNECTING THE GAS CANISTER:



CAUTION: The device must not be used without a gas pressure regulator. Details regarding country-specific gas pressure regulators can be found on the type label of the patio heater.

1. Check that all sealants are intact before turning on the device.
2. Connect the pressure regulator with the regulator valve. Please refer to the separate book of instructions enclosed for the gas pressure regulator.
3. Connect the hose to the gas supply of the pressure regulator using the gripper clamp.
4. Check that all connection points are leak-proof when the regulator valve is open. For this purpose an approved leakage locating spray or foaming agent (e.g. Gas Control Sprayor suds) is recommended. Apply this to the hose junctions. The sealant properties are ensured if no bubbles appear.



CAUTION: Never check the sealant properties using a naked flame as this could ignite any leaking gas!

CAUTION: The gas canister should only be replaced in a well-ventilated room, away from naked flames (e.g. candles, cigarettes, other devices with naked flames)!

4. START UP AND USE

! CAUTION: When starting and stopping the device can be slight explosion at the burner. This is not a failure of the Product and is not cause for alarm. Always keep a safe distance to the burner.

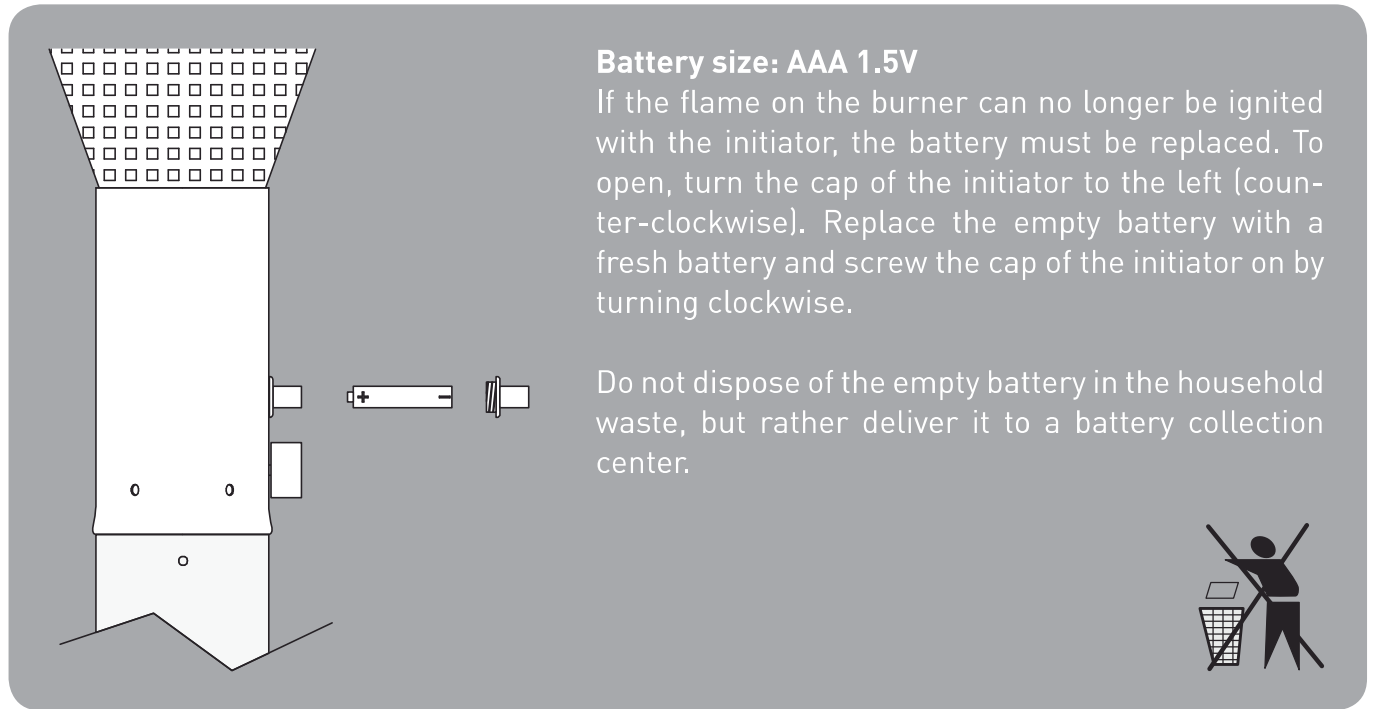
1. Open the regulator valve.
2. Press the regulator button (F) until the small flame symbol appears and at the same time continuously press the piezo-ignition button (G). After successful ignition, keep the regulator button pressed for another 10 seconds. This brings the burner up to the necessary operating temperature.
3. In the rare case that the heater does not ignite after the piezo-ignition button has been pressed 4 or 5 times, repeat the procedure after 2 minutes.

i NOTE:
It is possible to ignite the device using other primers (matches, fire sticks) which are ignited through the burner base openings.

5. TURNING OFF

1. To switch of the device, close the regulator valve.





6. STORAGE TIPS

Turn the patio heater off and leave it to cool. Close the regulator valve. Remove the pressure regulator with the gas hose from the gas canister. Always check that the sealants are intact.

! CAUTION: If you discover or suspect any damage when checking for leaks please contact your operating or filling station.
CAUTION: Keep the liquid gas bottle in a well ventilated area above the ground.

i Store the patio heater in a dry place.

7. ENVIRONMENTAL NOTES AND DISPOSAL MEASURES

To dispose of the patio heater disassemble it.
Separate the parts for recycling including metals, plastic, packaging and the entire burner.

8. MALFUNCTIONS AND SOLUTIONS

PROBLEM: The patio heater does not ignite.

SOLUTION: The patio heater contains a tilt prevention device, making possible to encapsulate the gas feed can in a globe during transportation. In order to activate the gas feed, shake the burner head lightly to propel the globe back to its original position and ensure a proper supply of gas.

9. TECHNICAL DETAILS

This device is authorised and approved in accordance with the EC Gas Appliances Directive 2009/142/EG and DIN EN 14543 (01.09.2007).

MODEL :	COMMERCIAL
MANUFACTURER PART NO.:	5500623
GAS TYPE:	Propan / Butan (G31/G30)
NOMINAL THERMAL STRESS (HS):	max. 14 kW
CONSUMPTION:	max. 1019 g/h
HEIGHT:	approx. 230 cm



Countries	Category	mbar	Identification of the injector (mm)
BE, FR, GB	I3+	28-30/37	Ø 1,83
HR, SE	I3B/P	30	Ø 1,83
LU, NL, SI, SK	I3B/P	28-30	Ø 1,83

10. WARRANTY AND SERVICE

We offer a 2 year warranty on the operational function of the device. The warranty is contingent upon proper use of the device and official proof of purchase including the date the device was bought. We reserve the right to make technical and colour-related changes.

The warranty is void after the expiration of the warranty period or immediately if independent changes to the device were performed. Components that have been sealed by the manufacturer or its representative must not manipulations are performed!

If, despite our quality control measures, your product should become damaged please contact Enders directly and do NOT bring it back to the retailer. This enables us to process your inquiry quickly.

<http://www.enders-germany.com/en/service>

11. MANUFACTURER

Enders Colsman AG

Brauck 1
D-58791 Werdohl

12. INCLUDED IN DELIVERY



Remove the protective foil from all parts first!

20 320mmx1		21 400mmx1	
13 M5X12 13X		14 M6X12 11X	
15 Φ 6.3 4X		16 Φ 6.3 8X	
17 M6 8X		18 M4X6 6X	
19 M4 6X		22 M8X55 2X	
23 Φ 8.3 2X		24 2X	
25 2x		26 Φ 8.3 2X	
27 M8 2X		28 M6 12X	
29 Φ 6.3 8X		30 M6 12X	
31 M6X8 8X			